

Spoked handwheels with solid section

Technopolymer

MATERIAL

High-resilience polypropylene based (PP) technopolymer, black colour, matte finish.
Certified in compliance with FDA (U.S. Food and Drug Administration).

BOSS-CAP

AISI 304 stainless steel self-adhesive front plate (adhesive certified in compliance with FDA U.S. Food and Drug Administration).

STANDARD EXECUTIONS

AISI 304 stainless steel boss, H7 reamed hole.

- **VRTP-P+I-SST**: with revolving handle type I.621+x-SST in polyamide based (PA) technopolymer, certified in compliance with FDA.
- **VRTP-P+IR-SST**: with fold-away handle type IR.620 in polyamide based (PA) technopolymer, certified in compliance with FDA. AISI 304 stainless steel pin, bushing and internal components, AISI 316L stainless steel support.
- **K**: index for executions with hole and keyway in compliance with DIN 6885/1 (see page A16), tolerance P9 i.e.:
79111-R-K VRTP.80-P+I-SST-8-K

ACCESSORIES ON REQUEST

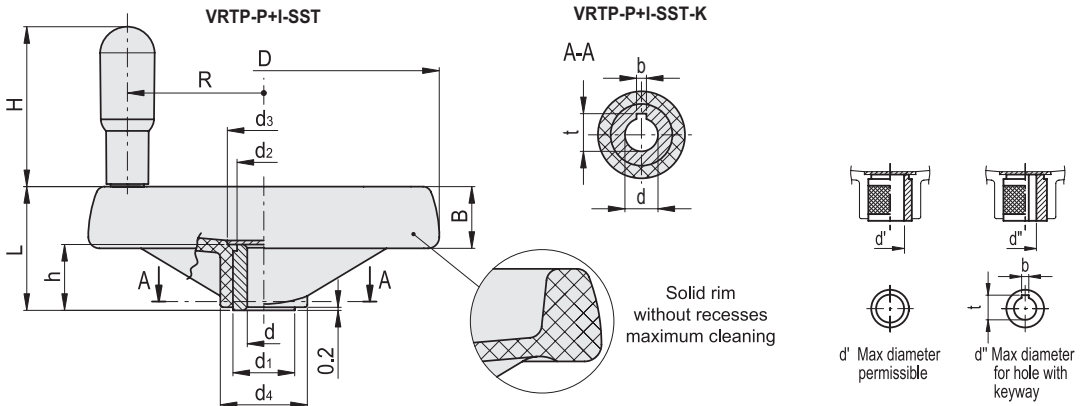
Axial retaining washer GN 184.5 (see page 971).

FEATURES AND APPLICATIONS

The solid rim of the handwheel allows the easy cleaning thanks to the absence of rear recesses. For this reason, being the technopolymer polypropylene based and the metal components in AISI 304 stainless steel, this version of VRTP. handwheel is designed for applications in food, pharmaceutical and medical fields.



ELESA Original design



VRTP-P+I-SST

STAINLESS STEEL

Code*	Description*	D	dH7	L	B	d1	d2	d3	d4	h	H	R	d'	d''	t	b	C# [Nm]	L# [J]	⚖
79111-R	VRTP.80-P+I-SST-8	80	8	35	18	18	16	20.5	25	17	45	29	14	10	11.4	3	32	5	104
79161-R	VRTP.100-P+I-SST-10	99	10	37	20	18	16	20.5	25.5	17	60	37	14	10	11.4	3	54	7	145
79211-R	VRTP.125-P+I-SST-12	125	12	44	22	22	20	26	31	22	65	48	18	12	13.8	4	94	10	245
79261-R	VRTP.160-P+I-SST-14	160	14	51	25	26	24	32	40	27	73	65	20	16	18.3	5	185	15	356
79311-R	VRTP.200-P+I-SST-16	200	16	61	28	30	28	36	50	34	80	84	24	18	20.8	6	300	24	552

* To order the execution with hole and keyway add the index -K after the code and description (i.e. 79111-R-K VRTP.80-P+I-SST-8-K).

For maximum applicable torque (C) and impact strength (L) see Technical Data on page A3.





Operating elements 1



Material suitable for food contact

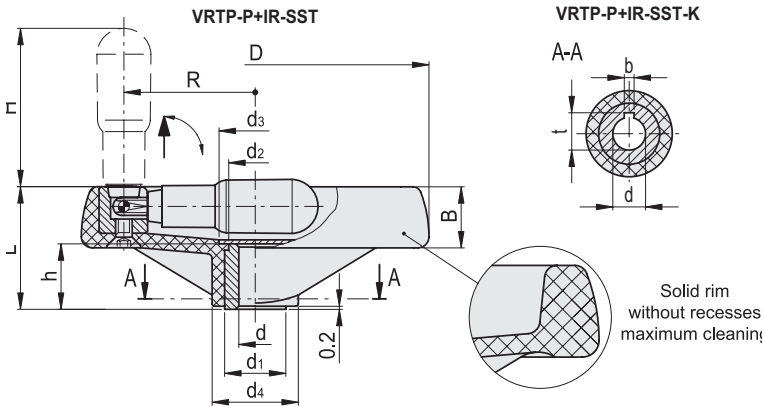
Technopolymer handwheel and handle.
Certified in compliance with FDA (U.S. Food and Drug Administration).

Corrosion resistance

1. AISI 304 stainless steel handwheel central boss
2. AISI 304 stainless steel revolving handle pin
3. AISI 304 stainless steel pin, bushing and internal components, AISI 316L stainless steel support

Easy cleaning

4. Solid rim
5. Hub without recesses



VRTP-P+IR-SST

STAINLESS STEEL

Code*	Description*	D	dH7	L	B	d1	d2	d3	d4	h	H	R	d'	d''	t	b	C# [Nm]	L# [J]	⚖
79121-R	VRTP.80-P+IR-SST-8	80	8	35	18	18	16	20.5	25	17	45	29	14	10	11.4	3	32	5	102
79171-R	VRTP.100-P+IR-SST-10	99	10	37	20	18	16	20.5	25.5	17	60	37	14	10	11.4	3	54	7	163
79221-R	VRTP.125-P+IR-SST-12	125	12	44	22	22	20	26	31	22	65	48	18	12	13.8	4	94	10	230
79271-R	VRTP.160-P+IR-SST-14	160	14	51	25	26	24	31	40	27	73	65	20	16	18.3	5	185	15	388
79321-R	VRTP.200-P+IR-SST-16	200	16	61	28	30	28	36	50	34	80	84	24	18	20.8	6	300	24	593

* To order the execution with hole and keyway add the index -K after the code and description (i.e. 79111-R-K VRTP.80-P+IR-SST-8-K).

For maximum applicable torque (C) and impact strength (L) see Technical Data on page A3.